

Xpanda[®]DIY
Real Security

PRODUCT CATALOGUE



840mm
A
1000mm
B
1150mm
C
1300mm
D
1450mm
E
1600mm
F
1800mm
G
1950mm
H









NOTE: unique hinge aside facility



FEATURES :

- Available in 8 stock sizes
- Fold-up 15% of closed size
- Fully retractable & able to swing away
- Unique diamond lattice design
- Easily installed DIY
- 2 pin slamlock
- Available in white / bronze
- All doors from 1150mm wide (ref 'c') are supplied with castor wheel

ACCESSORIES :

 <p>REF S4 BUTT HINGE CODE - 562 160</p>	 <p>REF S8 SAFTIDOR CASTOR CODE - 561 250</p>	 <p>REF S9 CARPET COVER PLATT CODE - 562 280</p>
 <p>REF S25 SHOOTBOLT CODE - 562 760</p>	 <p>REF S35 SAFTIDOR DOUBLE LOCKING T BRACKET CODE - 563 100</p>	 <p>REF S36 SAFTIDOR U-BRACKET CODE - 563 130</p>



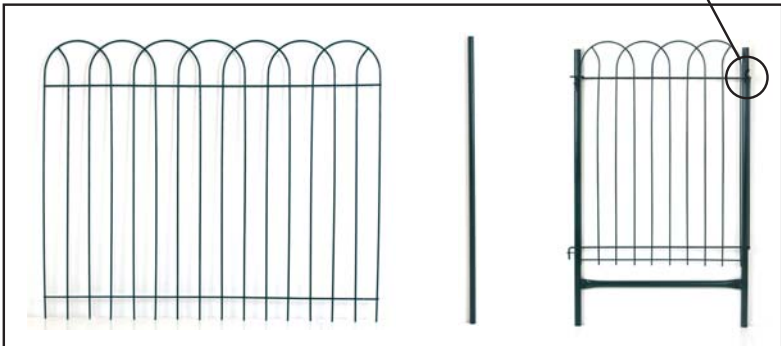
SIZE (w x h) in mm	
Panel	1500 x 1250
Gate	1000 x 1250
Pole length	32 x 1600

FEATURES :

- Available in epoxy white & hammertone green
- Hot dip galvanised for coastal regions
- Standard with double child lock



child lock



panel

pole

gate

Xpanda[®]DIY

Real Security



FEATURES:

- Epoxy coated grey
- 7 lever lock - L302
- 8mm infill
- Electro galvanised
- 10kg
- Butt hinge



FEATURES:

- Epoxy coated in white & bronze
- 7 lever lock - L302 or shoot bolt
- 8mm infill
- Electro galvanised
- 11.7kg
- Butt hinge



FEATURES:

- Epoxy coated in white & grey
- 7 lever lock - L302
- 12mm infill
- Electro galvanised
- 12kg
- Butt hinge



FEATURES:

- Epoxy coated in white & bronze
- 7 lever lock - L302
- 12mm infill
- Electro galvanised
- 21kg
- Multi-hinge



FEATURES:

- Epoxy coated in white & bronze
- 7 lever lock - L302
- 10mm infill
- Electro galvanised
- 17.1kg
- Butt hinge



FEATURES:

- Epoxy coated in hammertone white, black & bronze
- M470 slamlock
- 12mm infill
- Hot dip galvanised - coastal, electro galvanised - inland
- 29kg
- Adjustable hinge



FEATURES:

- Epoxy coated in hammertone white, brown, black & green
- M470 slamlock
- 12mm infill
- Hot dip galvanised - coastal, electro galvanised - inland
- 22kg
- Multi-hinges

FIXINGS INCLUDED

FIXINGS INCLUDED



BRICK



DIAMOND



COTTAGE



WINDOW SIZES			
BRICK / DIAMOND		BRICK / DIAMOND	
(WOODEN FRAME)		(STEEL FRAME)	
WIDTH	HEIGHT	WIDTH	HEIGHT
530	160	460	160
530	450	460	410
530	700	460	700
530	1000	460	1000
530	1270	460	1270
565	410	950	160
580	760	950	410
755	410	950	550
840	160		
845	410		
885	410		
950	410		
950	550		
1060	160		
1090	160		

FEATURES:

- Epoxy coated to a high gloss, scratch resistant finish, requiring no maintenance
- Available for steel & wooden frame windows
- Other designs & sizes + colours available on request
- Unique one-way security screws supplied with each Xpanda burglar guard

COTTAGE	
(FOR WOODEN FRAME)	
WIDTH	HEIGHT
530	2 pane
530	4 pane
530	6 pane
530	8 pane
530	10 pane



GOVERNMENT APPROVED GUN SAFES



DESCRIPTION	SIZE (w x h x d)
Safe No. 1	275mm x 200mm x 150mm
Safe No. 3	375mm x 275mm x 195mm
Rifle Safe	345mm x 1400mm x 250mm

FEATURES:

- SABS tested to new gun regulations
- Certificate included in safe
- 7 lever lock welded in a lock box
- Gun metal finish
- Extra strength recessed hinge
- 3mm wall & 6mm door steel plate
- Full support reveal around the door
- Includes fixing bolts



DOMESTIC SAFES



DESCRIPTION	SIZE (w x h x d)
Brick Safe	300mm x 150mm x 110mm
Safe No. 1	270mm x 205mm x 145mm
Safe No. 2	305mm x 230mm x 165mm
Floor Safe	220mm x 150mm x 200mm

FEATURES:

- Door overlaps at the back
- 7 lever lock welded in a lock box
- Structured blue finish
- Extra strength recessed hinge
- Full support around door
- Includes fixing bolts

Xpanda®

Real Security

It's one thing to install the finest security products into your home. It's another to ensure that they work for you. So in order to help you get the most from your investment, please consider the following advice that we have compiled from decades of experience. We are offering this assistance in order to try and avoid you having to suffer the shattering experience of a burglary, the invasion of your privacy and the psychological trauma that so often arises from this awful experience.

At the outset, we strongly advise that you join your local neighbourhood watch and be aware of any other community policing forums that are being set up in your area.

FRONT DOOR

Ensure that these doors are strong and are fitted with a good quality deadlock. For extra security consider fitting a security gate. Install a door viewer and/or door chain. Identify callers before you open the door.

BACK DOOR

Fit a security gate – and use it! Never hide spare keys under doormats or flowerpots. Don't leave keys visible through open doors, security doors or windows.

WINDOWS

Burglar proofing should cover all windows (and don't forget the centre pane!) Always use one-way screws to fasten your burglar guards. For Spanish guards always include an escape hatch in the bedroom in case of fire.

PATIO DOORS

Patio doors are very vulnerable. Fit expandable security doors such as Multiguard, to protect them.

BURGLAR ALARMS

Always use a professional company to fit a burglar alarm. Make sure they are members of SASA. Place security signs at the entrance or outside your property.

GARAGES

Always lock your garage or garden shed. You don't want burglars to be able to use your tools or ladders to break into your home. Chain and padlock ladders to a fixed point if they cannot be locked away inside.

SIDE PASSAGES

Fit a strong fence and high gates to secure any entrance to the back of your house. Remember, burglars most often gain access to your property through vulnerable and secluded points in your home.

GATES & FENCES

Check for weak spots on the outside of your house, a low fence or an unlocked gate. If your driveway gates are not automated, keep them locked at all times.

SECURITY LIGHTING

Leave an outside light on after dark or install security lighting with motion detectors or timing devices. This will discourage potential burglars.

WATCH DOG

A good watchdog is a good deterrent for burglars. Preferably keep the dog outside to give you an early warning and place a 'Beware of the Dog' sign at the front of your premises.

WHEN YOU GO OUT

Leave a light on or radio playing and even ask the neighbour to keep an eye on your property.

DBN: (031) 791 0061 • JHB: (011) 474 2100 • PE: (041) 486 1471 • CPT: (021) 552 0808

EL: (043) 731 1246 • MIDDLEBURG: (013) 246 2600 • RICHARDS BAY: (035) 797 5800



0861 334 335 www.xpanda.co.za



MEMBER OF THE ARGENT INDUSTRIAL GROUP

Xpanda®
Real Security